



SERVICE BODY OPTION

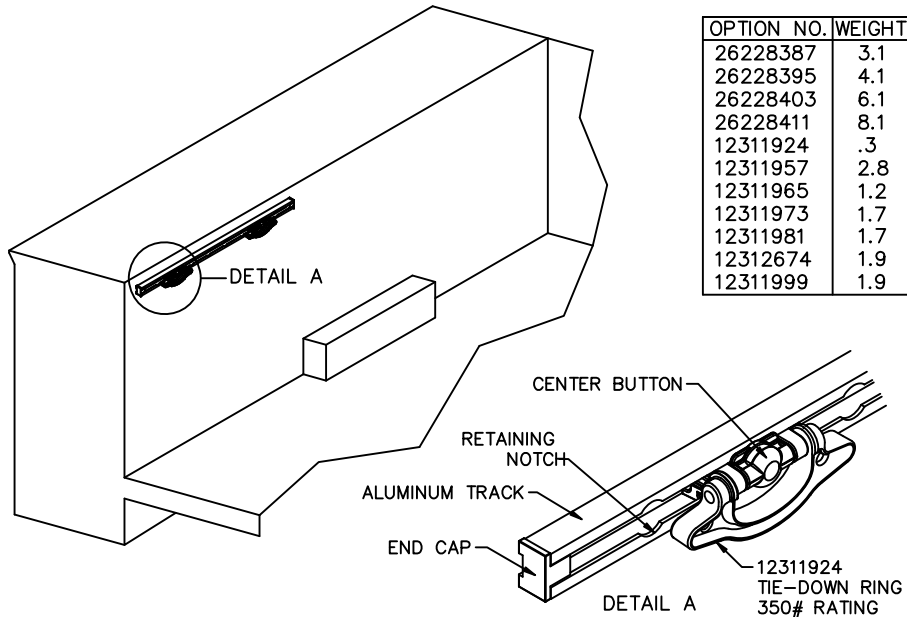


EFFECTIVE FEBRUARY 23, 2009

SINCE 1848

CARGO MANAGEMENT SYSTEM

CARGO MANAGEMENT SYSTEM MOUNTS TO COMPARTMENT BACK WITH BOLTS. ACCESSORY ITEMS SLIDE ALONG AN EXTRUDED ALUMINUM TRACK. ENDS OF TRACK ARE CAPPED TO RETAIN ACCESSORIES, BUT ARE REMOVEABLE SO THAT ADDITIONAL ACCESSORIES CAN BE INSERTED. SPRING LOADED BUTTON IN CENTER OF ACCESSORY ALLOWS IT TO BE POSITIONED IN 4" INCREMENTS. THE WEIGHT OF EACH ACCESSORY AND KIT IS SHOWN IN THE TABLE BELOW. THE CARGO MANAGEMENT SYSTEM CAN BE USED ON ALL SERVICE BODIES, KUV BODIES AND KC BODIES, AND IS SHIPPED LOOSE ONLY WITH INSTRUCTIONS AND MOUNTING HARDWARE. ACCESSORIES ARE NOT INCLUDED IN THE KITS AND MUST BE ORDERED SEPARATELY.



OPTION NO.	WEIGHT
26228387	3.1
26228395	4.1
26228403	6.1
26228411	8.1
12311924	.3
12311957	2.8
12311965	1.2
12311973	1.7
12311981	1.7
12312674	1.9
12311999	1.9

OPTION NO.	APPLICATION	PRICE
26228387	LOOSE, 3 FOOT SECTION CARGO MANAGEMENT SYSTEM	
26228395	LOOSE, 4 FOOT SECTION CARGO MANAGEMENT SYSTEM	
26228403	LOOSE, 6 FOOT SECTION CARGO MANAGEMENT SYSTEM	
26228411	LOOSE, 8 FOOT SECTION CARGO MANAGEMENT SYSTEM	
12311924	LOOSE, ONE TIE-DOWN RING ACCESSORY	
12311957	LOOSE, ONE TANK HOLDER ACCESSORY	
12311965	LOOSE, ONE 2X4 HOLDER ACCESSORY	
12311973	LOOSE, ONE RING HOLDER ACCESSORY	
12311981	LOOSE, ONE LIGHT DUTY HOOK ACCESSORY 50# RATING	
12312674	LOOSE, ONE HEAVY DUTY HOOK ACCESSORY 150# RATING	
12311999	LOOSE, ONE LADDER/TOOL HOLDER ACCESSORY	

SPECIFICATIONS ARE SUBJECT TO CHANGE WITHOUT NOTICE.

INFORMATION ON THIS PAGE MAY NOT BE REPRODUCED WITHOUT THE EXPRESS WRITTEN CONSENT OF THE KNAPHEIDE MFG. CO.

FOR INTERNAL USE ONLY
S309-03



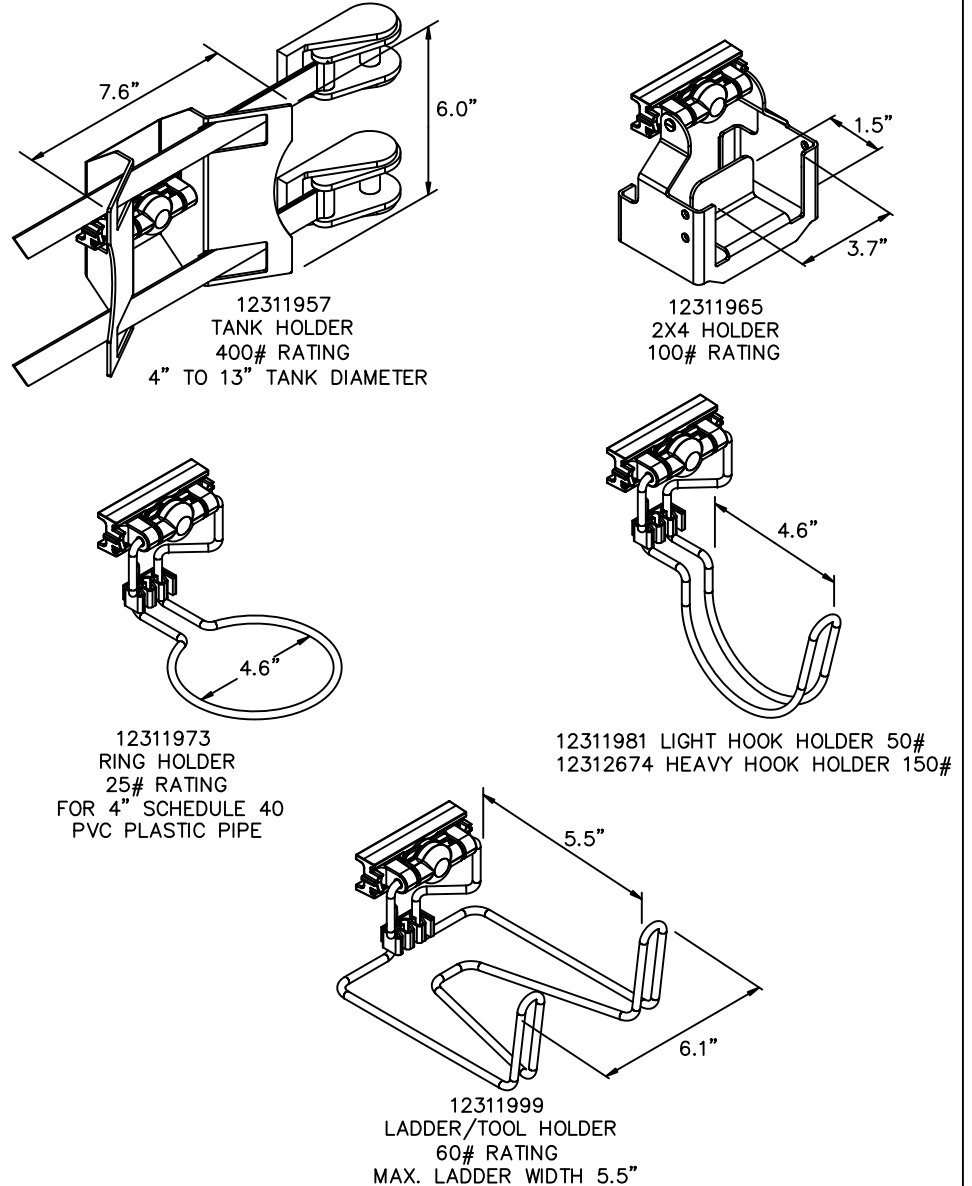
SERVICE BODY OPTION



EFFECTIVE FEBRUARY 23, 2009

SINCE 1848

CARGO MANAGEMENT SYSTEM - CONT.



SPECIFICATIONS ARE SUBJECT TO CHANGE WITHOUT NOTICE.

INFORMATION ON THIS PAGE MAY NOT BE REPRODUCED WITHOUT THE EXPRESS WRITTEN CONSENT OF THE KNAPHEIDE MFG. CO.

FOR INTERNAL USE ONLY
S309A-03