



# SERVICE BODY OPTION



EFFECTIVE JUNE 23, 2008

SINCE 1848

## 9 BIN CABINET

9 BIN CABINET IS CONSTRUCTED OF 16 GA. GALVANNEAL STEEL. THE INDIVIDUAL BIN SIZE AND OVERALL CABINET DIMENSIONS ARE SHOWN BELOW. THE 12.5" DEEP CABINET IS FOR USE ON ALL 14.5" DEEP SIDE COMPARTMENTS. EITHER THE 12.5" OR 16" DEEP CABINET MAY BE USED ON BODIES WITH 18" OR 20" DEEP COMPARTMENTS. INSTALLED 9 BIN CABINETS WILL BE INSTALLED AT THE FRONT OF THE DESIGNATED HORIZONTAL COMPARTMENT. TWO OR MORE CABINETS MAY BE INSTALLED IN A SINGLE COMPARTMENT, AND THE ADDITIONAL CABINETS WILL BE MOUNTED ADJACENT TO THE FIRST. LOOSE CABINETS WILL BE SHIPPED IN FINISH GRAY PAINT. WEIGHT IS 33 AND 48 POUNDS FOR THE 12.5" AND 16" DEEP CABINETS, RESPECTIVELY. AVAILABLE LOOSE OR INSTALLED IN HORIZONTAL COMPARTMENTS ON ALL BODIES WITH THE FOLLOWING EXCEPTIONS:

- ALL COMPACT BODIES OR WESTERNER BODIES
- ALL LOW PROFILE AND FLIP-TOP BODIES

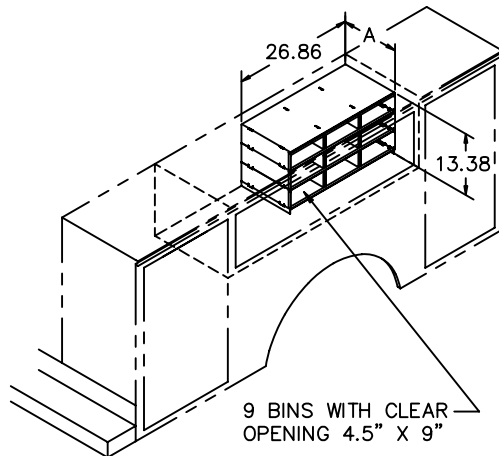
NOT COMPATIBLE WITH THE FOLLOWING OPTIONS:

- OVERLAP DOORS ON 14.5" DEEP HORIZONTAL COMPARTMENTS
- OVERLAP DOORS ON 18" DEEP HORIZ. COMPARTMENTS WITH 16" CABINET
- 3, 4 OR 6 DRAWER CABINET
- BOOK RACK DEPENDING ON HORIZONTAL COMPARTMENT SIZE

**NOTE:** THE STANDARD HORIZONTAL SHELF MUST BE DELETED IF THIS OPTION IS ORDERED FOR THE CURB SIDE.

### CABINET DIMENSIONS

MODEL DESCRIPTION	A
BODIES WITH 14.5" DEEP COMPARTMENTS	12.5
BODIES WITH 20" DEEP COMPARTMENTS	12.5 OR 16
ALL CRANE BODIES	12.5 OR 16
ALL LINE BODIES	12.5 OR 16



OPTION NO.	APPLICATION	PRICE
77000412	INSTALLED, 12.5" DEEP CABINET, STREET SIDE HORIZONTAL	
77000420	INSTALLED, 12.5" DEEP CABINET, CURB SIDE HORIZONTAL	
77000438	INSTALLED, 16" DEEP CABINET, STREET SIDE HORIZONTAL	
77000446	INSTALLED, 16" DEEP CABINET, CURB SIDE HORIZONTAL	
20049474	LOOSE, 12.5" DEEP CABINET	
20049557	LOOSE, 16" DEEP CABINET	

SPECIFICATIONS ARE SUBJECT TO CHANGE WITHOUT NOTICE.

INFORMATION ON THIS PAGE MAY NOT BE REPRODUCED WITHOUT THE EXPRESS WRITTEN CONSENT OF THE KNAPHEIDE MFG. CO.

FOR INTERNAL USE ONLY  
S85-18



# SERVICE BODY OPTION



EFFECTIVE JUNE 23, 2008

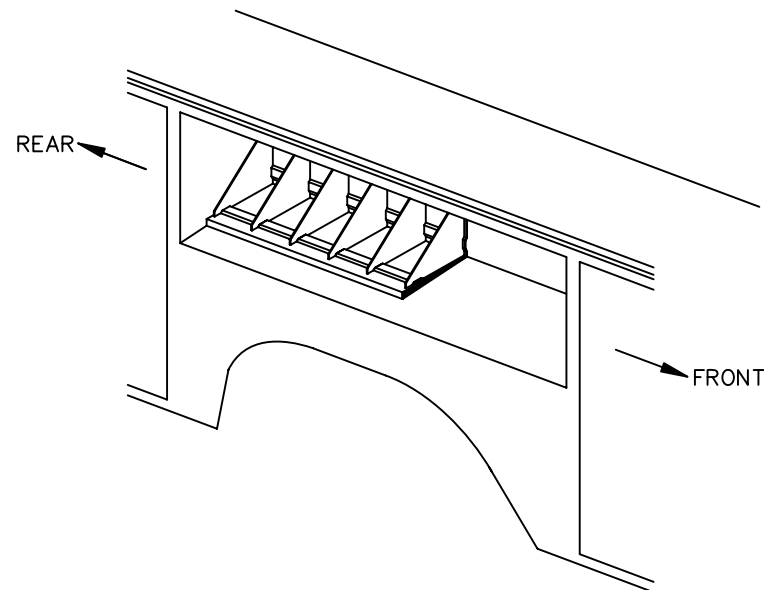
SINCE 1848

## BOOK RACK

AVAILABLE INSTALLED IN STREET AND/OR CURB SIDE HORIZONTAL COMPARTMENTS, OR AVAILABLE LOOSE AND WILL BE SHIPPED IN FINISH GRAY PAINT. BOOK RACK IS 20.5" LONG x 11.5" HIGH x 11.5" DEEP AND WILL BE INSTALLED AT THE REAR OF THE DESIGNATED HORIZONTAL COMPARTMENT. TWO OR MORE BOOK RACKS MAY BE INSTALLED IN A SINGLE HORIZONTAL COMPARTMENT IF MORE STORAGE IS REQUIRED, AND THE ADDITIONAL BOOK RACKS WILL BE MOUNTED ADJACENT TO THE FIRST. THE BASE OF THE BOOK RACK IS SLOPED TO RETAIN BOOKS IN THE PROPER POSITION. THE BOOK RACK BASE IS CONSTRUCTED OF 18 GA. GALVANNEAL STEEL. FIVE 4" WIDE BINS ARE PROVIDED USING 16 GA. GALVANNEAL PERMANENT DIVIDERS. WEIGHT IS 14 POUNDS EACH. BOOK RACK IS AVAILABLE ON ALL BODIES WITH THE FOLLOWING EXCEPTIONS:

- COMPACT BODIES OR WESTERNER BODIES
- WILL NOT FIT WITH 18 DRAWER CABINET IN SAME HORIZONTAL COMPARTMENT

**NOTE:** THE STANDARD HORIZONTAL SHELF MUST BE DELETED IF THIS OPTION IS ORDERED FOR THE CURB SIDE.



OPTION NO.	APPLICATION	PRICE
77000743	INSTALLED, ONE IN REAR OF STREET SIDE HORIZONTAL COMP.	
77000750	INSTALLED, ONE IN REAR OF CURB SIDE HORIZONTAL COMP.	
20177713	LOOSE, ONE BOOK RACK	

SPECIFICATIONS ARE SUBJECT TO CHANGE WITHOUT NOTICE.

INFORMATION ON THIS PAGE MAY NOT BE REPRODUCED WITHOUT THE EXPRESS WRITTEN CONSENT OF THE KNAPHEIDE MFG. CO.

FOR INTERNAL USE ONLY  
S26-19