



SERVICE BODY OPTION



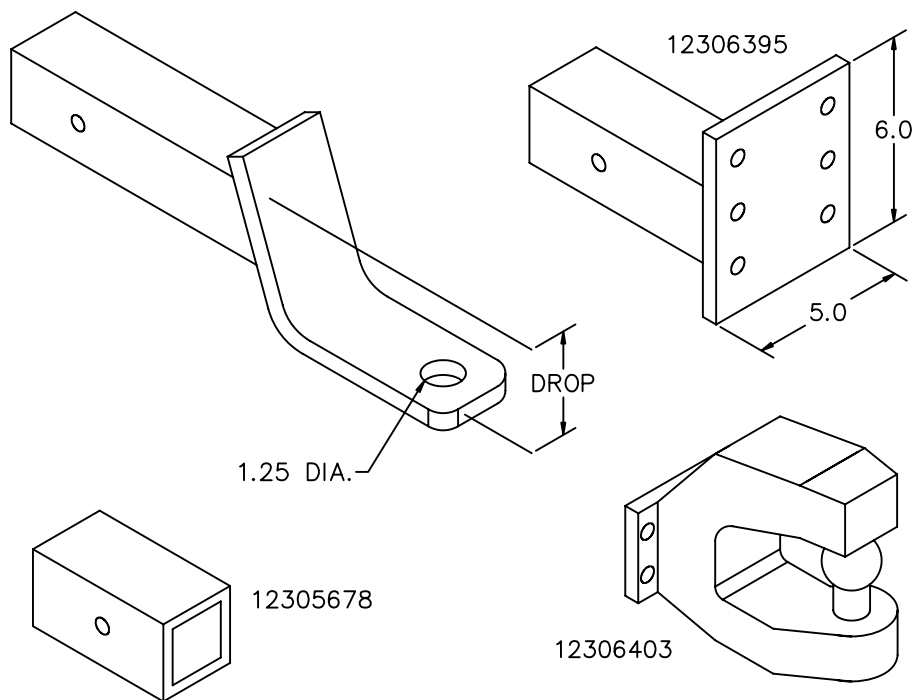
EFFECTIVE JUNE 23, 2008

SINCE 1848

RECEIVER HITCH DRAWBARS

RECEIVER HITCH DRAWBARS ARE FOR USE WITH CLASS V 2.5" RECEIVER HITCHES. DRAWBARS HAVE 2.5" SQUARE SHANKS AND ARE RATED AT 12,000 LBS. MAX. TRAILER WEIGHT AND 1200 LBS. MAX. TONGUE WEIGHT. PINTLE HOOK WITH BALL COMBINATION IS RATED AT 16,000 LBS. MAX. TRAILER WEIGHT AND 3,000 LBS. TONGUE WEIGHT. SHIPPED WITH A BLACK TOP COAT FINISH.

NOTE: DO NOT EXCEED THE TOWING CAPACITY SPECIFIED BY THE CHASSIS MANUFACTURER. DO NOT EXCEED THE RATED HITCH CAPACITY OR THE RATED DRAWBAR CAPACITY. IF ADAPTER (12305678) IS USED, DO NOT EXCEED THE RATED CAPACITY OF THE 2.0 INCH SQUARE SHANK DRAWBAR.



OPTION NO.	APPLICATION	PRICE
12306361	LOOSE, 2.5" RECEIVER DRAWBAR WITH 3" DROP	
12306379	LOOSE, 2.5" RECEIVER DRAWBAR WITH 5" DROP	
12306387	LOOSE, 2.5" RECEIVER DRAWBAR WITH 7.75" DROP	
12306395	LOOSE, 2.5" RECEIVER DRAWBAR WITH PINTLE MOUNT PLATE	
12306403	LOOSE, PINTLE HOOK COMBINATION WITH 2" BALL	
12305678	LOOSE, ADAPTER FOR 2" DRAWBAR USE WITH 2.5" RECEIVER	

SPECIFICATIONS ARE SUBJECT TO CHANGE WITHOUT NOTICE.

INFORMATION ON THIS PAGE MAY NOT BE REPRODUCED WITHOUT THE EXPRESS WRITTEN CONSENT OF THE KNAPHEIDE MFG. CO.

FOR INTERNAL USE ONLY
S204-12



SERVICE BODY OPTION



EFFECTIVE JUNE 23, 2008

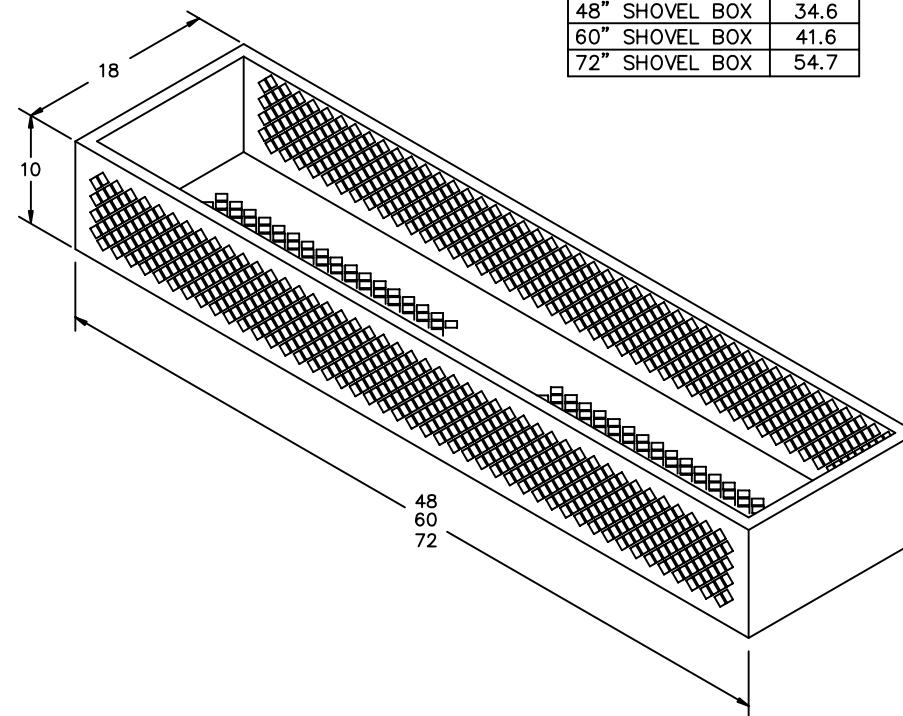
SINCE 1848

SHOVEL BOX

10" HIGH X 18" DEEP X LENGTHS SHOWN BELOW WITH 7/8" DIAMOND HOLE PATTERN AS SHOWN. CONSTRUCTED OF 14GA. GALVANNEAL STEEL. FOR INSTALLATION ON COMPARTMENT TOP (MINIMUM 18" COMPARTMENT DEPTH) OR IN CARGO AREA. OPTIONAL MOUNTING KIT INCLUDES 3 NON METALLIC 1/4" THICK SPACERS AND INSTALLATION HARDWARE. APPLICABLE TO ALL BODIES.

WEIGHTS

LENGTH	WEIGHT
48" SHOVEL BOX	34.6
60" SHOVEL BOX	41.6
72" SHOVEL BOX	54.7



OPTION NO.	APPLICATION	PRICE
25123498	LOOSE, 48" SHOVEL BOX/TOOL ORGANIZER	
25123506	LOOSE, 60" SHOVEL BOX/TOOL ORGANIZER	
25105966	LOOSE, 72" SHOVEL BOX/TOOL ORGANIZER	
25105974	MOUNTING KIT	

SPECIFICATIONS ARE SUBJECT TO CHANGE WITHOUT NOTICE.

INFORMATION ON THIS PAGE MAY NOT BE REPRODUCED WITHOUT THE EXPRESS WRITTEN CONSENT OF THE KNAPHEIDE MFG. CO.

FOR INTERNAL USE ONLY
S34-14