



SERVICE BODY OPTION

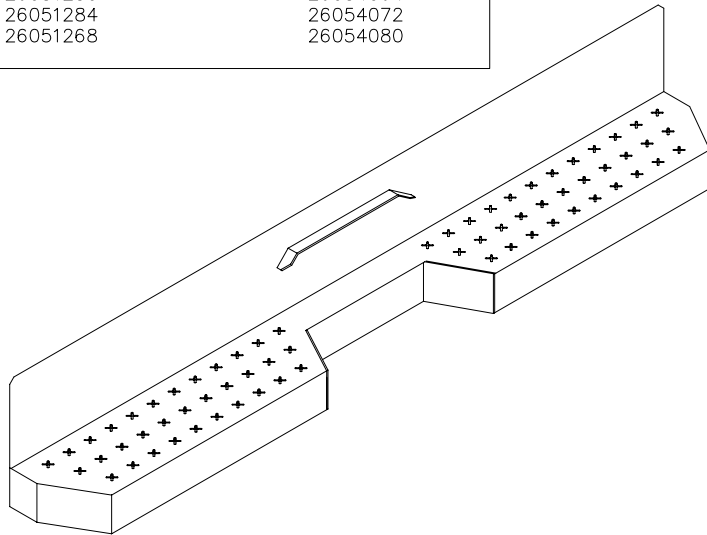


EFFECTIVE DECEMBER 7, 2009

SINCE 1848

FINISH PAINT BUMPER – BLACK
BLACK PAINT INSTALLED ON BUMPERS LISTED BELOW.

BASE BUMPER PRIME	PAINTED BLACK
26050013	26054007
26050021	26054015
26050039	26054023
26051235	26054031
26051276	26054049
26051243	26054056
26051250	26054064
26051284	26054072
26051268	26054080



OPTION NO.	APPLICATION	PRICE
26054007	LOOSE, 78" UB GG BUMPER – BLACK	
26054015	LOOSE, 89" UB GG BUMPER – BLACK	
26054023	LOOSE, 94" UB GG BUMPER – BLACK	
26054031	LOOSE, 78" UB GG RECESS BUMPER – BLACK	
26054049	LOOSE, 89" UB GG RECESS BUMPER – BLACK	
26054056	LOOSE, 94" UB GG RECESS BUMPER – BLACK	
26054064	LOOSE, 78" UB TP RECESS BUMPER – BLACK	
26054072	LOOSE, 89" UB TP RECESS BUMPER – BLACK	
26054080	LOOSE, 94" UB TP RECESS BUMPER – BLACK	

SPECIFICATIONS ARE SUBJECT TO CHANGE WITHOUT NOTICE.

INFORMATION ON THIS PAGE MAY NOT BE REPRODUCED WITHOUT THE EXPRESS WRITTEN CONSENT OF THE KNAPHEIDE MFG. CO.

FOR INTERNAL USE ONLY
S323-0



SERVICE BODY OPTION



SINCE 1848

THIS PANEL INTENTIONALLY LEFT BLANK

SPECIFICATIONS ARE SUBJECT TO CHANGE WITHOUT NOTICE.

INFORMATION ON THIS PAGE MAY NOT BE REPRODUCED WITHOUT THE EXPRESS WRITTEN CONSENT OF THE KNAPHEIDE MFG. CO.

FOR INTERNAL USE ONLY
BLANK